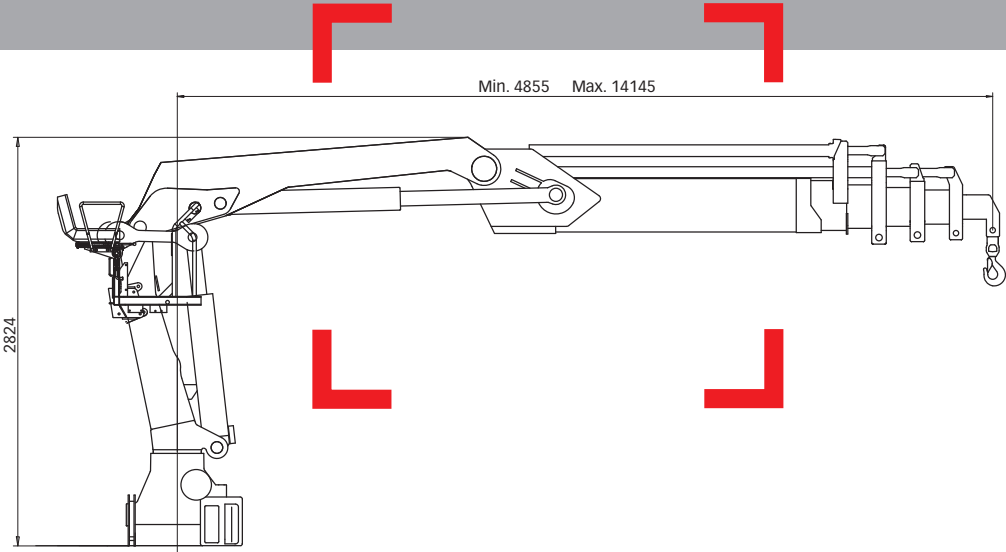


HIAB 195 Capacity 19 tm



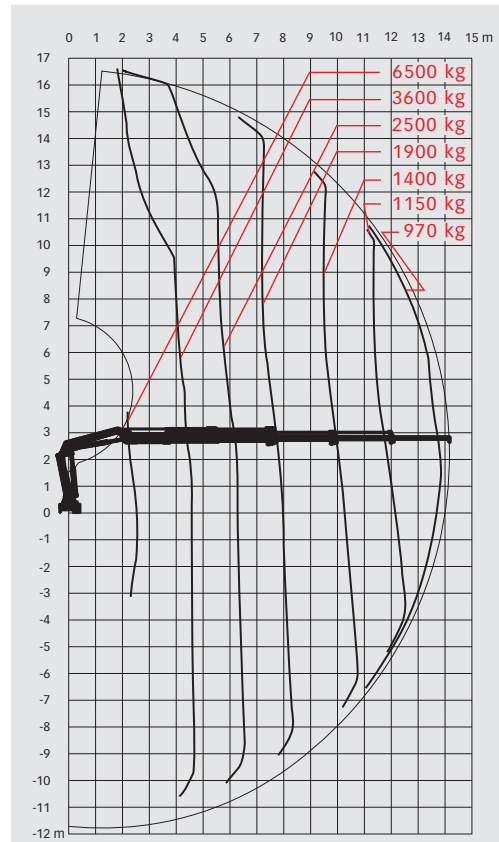
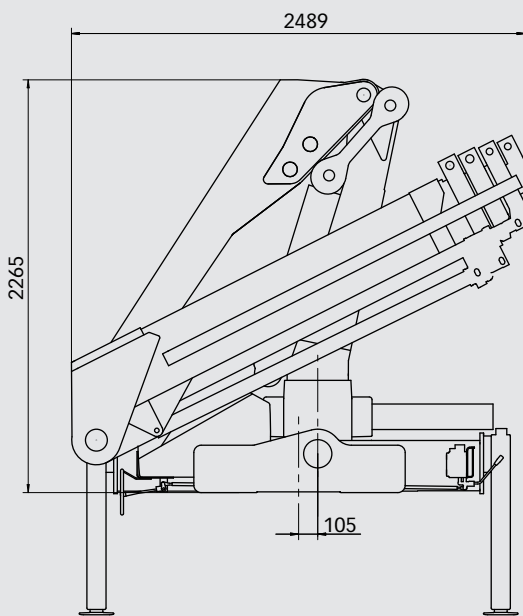
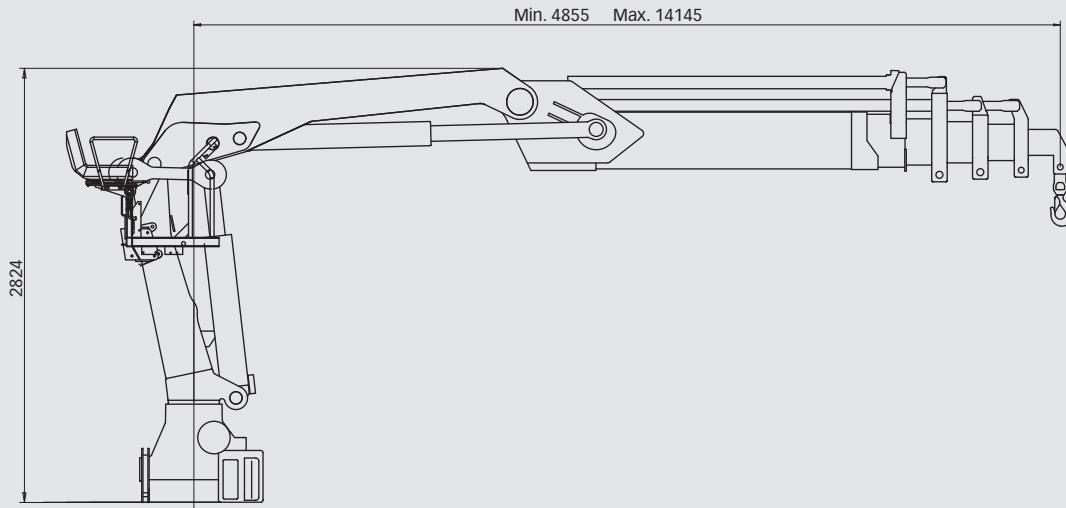
Basic data

HIAB 195 Basic data

Technical data	195-1	195-2	195-3	195-4	195-5
Max. lifting capacity (kNm)	183	172	166	162	158
Outreach - hydraulic extensions (m)	6.1	8.0	10.0	12.1	14.1
Outreach - manual extensions (m)	-	14.2	16.3	18.5	18.4
Outreach - jib (m)	-	-	15.3	17.3	-
Outreach / lifting capacity (m / kg)	2.6 / 6500	2.3 / 6500	2.3 / 6500	2.3 / 6500	2.3 / 6500
	4.5 / 4200	4.5 / 3900	4.5 / 3800	4.5 / 3700	4.5 / 3600
	6.1 / 3000	6.1 / 2900	6.1 / 2800	6.2 / 2600	6.2 / 2500
	-	7.8 / 2200	7.8 / 2100	7.8 / 2000	7.8 / 1900
	-	-	9.8 / 1600	9.8 / 1500	9.8 / 1400
	-	-	-	11.8 / 1250	11.8 / 1150
	-	-	-	-	13.8 / 970
Outreach / Lifting capacity, with jib (m / kg)	-	-	12.3 / 1000	14.3 / 690	-
	-	-	15.1 / 480	16.8 / 480	-
Slewing angle	406°	406°	406°	406°	406°
Height in folded position (mm)	2265	2265	2265	2265	2265
Width in folded position (mm)	2451	2451	2451	2487	2489
Installation space needed (mm)	909	909	909	909	990
Weight - "standard" crane without stabilizers (kg)	1980	2120	2270	2400	2510
Weight - stabilizer equipment (kg)	238 - 380	238 - 380	238 - 380	238 - 380	238 - 380
Weight - jib (kg)	-	-	368*	368*	-

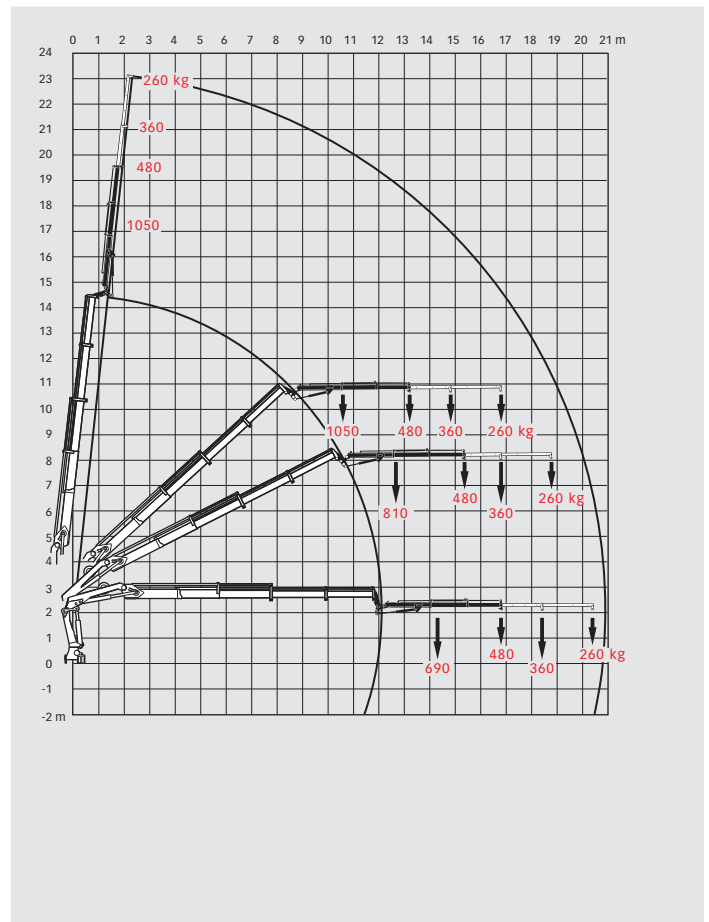
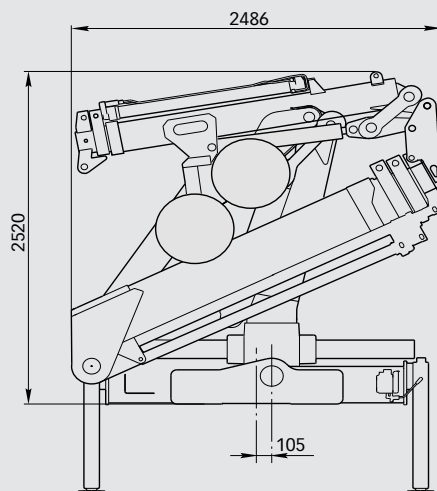
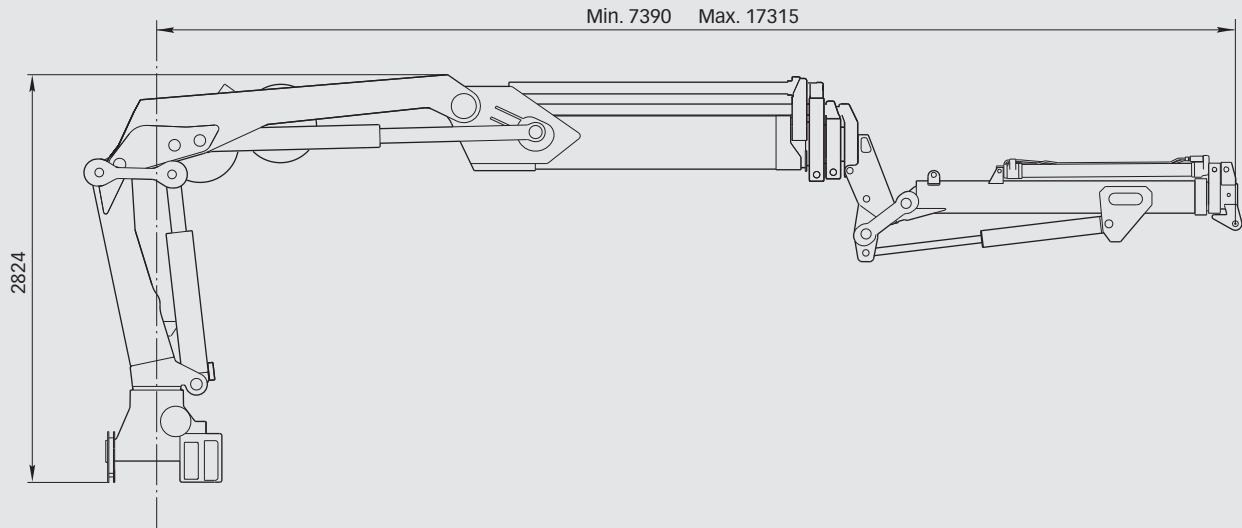
* Incl. hose and pipe kit.

> HIAB 195-5



HIAB 195 Basic data

> HIAB 195-4 jib 30



Disclaimer

Hiab cranes has been built to meet the highest standards of safety and service life and has been thoroughly tested. Strength calculations for this model have been carried out in accordance with DIN 15018. Hiab's certified Quality Assurance System complies with the ISO 9001. Some of the items in our literature may be extra equipment. Certain applications may require an official permit. We reserve the right to change technical specifications without prior notice. Hiab cranes produced for EU-countries are CE-marked and comply with the European Standard EN 12999.